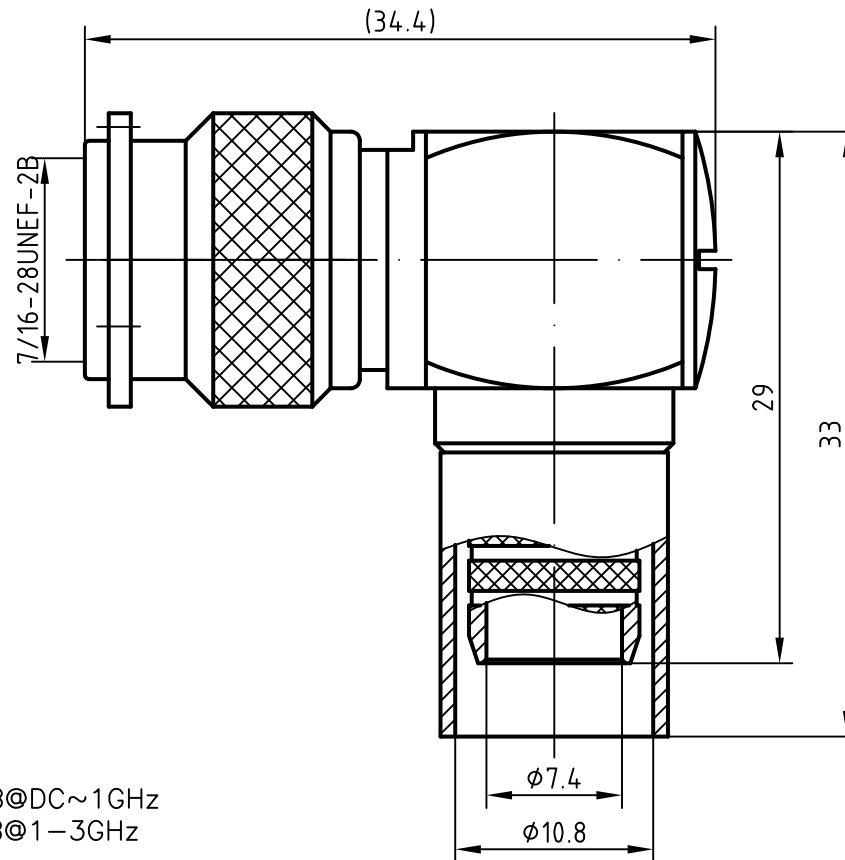


|     |   |             |             |         |      |       |          |
|-----|---|-------------|-------------|---------|------|-------|----------|
| REV | △ | DESCRIPTION | CHNGD SHEET | ECO NO. | DATE | DRAWN | APPROVED |
|-----|---|-------------|-------------|---------|------|-------|----------|



Technical Data:

- |                                    |                               |
|------------------------------------|-------------------------------|
| 1. Impedance                       | 50 Ω                          |
| 2. Frequency range                 | 6GHz                          |
| 3. Return loss                     | ≥28dB@DC~1GHz<br>≥25dB@1-3GHz |
| 4. Contact resistance:             |                               |
| Center conductor                   | ≤1.5mΩ                        |
| Outer conductor                    | ≤1mΩ                          |
| 5. Insulation resistance           | 5000MΩ                        |
| 6. Dielectric withstanding voltage | 1000V                         |
| 7. Operating Temperature           | -40°C to +85°C                |
| 8. Durability                      | 500 Cycles                    |

Material and Plating:

- Center conductor: Gold plated over Brass.
- Outer conductor: White Bronze(CuSnZn) plated over Brass.
- Insulator: PTFE.
- Nut: White Bronze(CuSnZn) plated over Brass.
- Crimp ferrules: Nickel plated over Copper alloy.
- Gasket: Silicone Rubber.

UNLESS OTHERWISE SPECIFIED:

DIMENSIONS IN mm

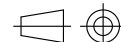
TOLERANCES:

GENERAL:

- |         |       |
|---------|-------|
| X       | ±0.2  |
| X.X     | ±0.1  |
| X.XX    | ±0.05 |
| ANGLES: | ±2°   |

ROUGHNESS: ✓

VIEW PROJECTION:



Xi'an Longtrox Scien-Tech Co., Ltd.  
www.longtroxrf.com

TITLE:

**TNC RIGHT ANGLE PLUG FOR LMR400**  
**TNC-JW400YS**

PROJECT:

|          |           |           |            |          |           |
|----------|-----------|-----------|------------|----------|-----------|
| DRAWN    | Nan       |           | 2023.09.19 | PART NO: | REV:      |
| DESIGNED | Nan       |           | 2023.09.19 |          | -         |
| CHECKED  | Liu       |           | 2023.09.19 | DWG NO:  | REV:      |
| APPROVED | DAMI WANG |           | 2023.09.19 | FILE:    | A1        |
|          | NAME      | SIGNATURE | DATE       | SCALE:   | SHEET/OF: |
|          |           |           |            | 2.5:1    | 1 / 1     |
|          |           |           |            |          | SIZE:     |
|          |           |           |            |          | A4        |