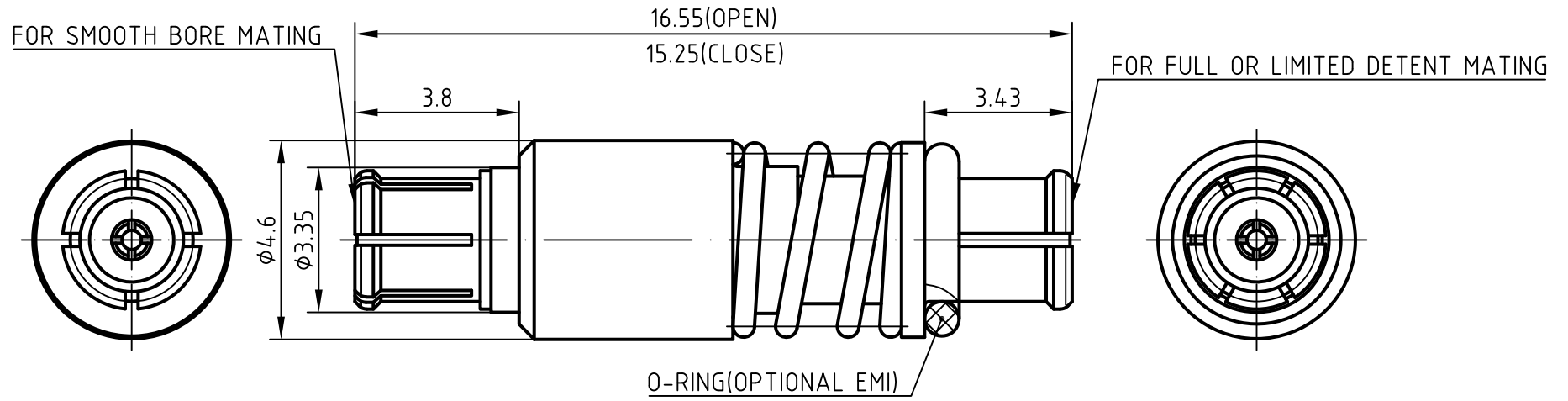


4		5					
REV	△	DESCRIPTION	CHNGD SHEET	ECO NO.	DATE	DRAWN	APPROVED



Technical Data:

- | | |
|-------------------------------------|---|
| 1. Impedance | 50 Ω |
| 2. Frequency Range | DC~40GHz |
| 3. VSWR | ≤1.20@DC~12GHz
≤1.25@12~18GHz
≤1.30@18~40GHz |
| 4. Insertion Loss: | 0.40dB max @ DC~12GHz
0.50dB max @ 12~18GHz
0.60dB max @ 18~40GHz |
| 5. Dielectric withstanding voltage: | 500V |
| 6. Insulation resistance: | ≥5000MΩ |
| 7. Operating Temperature: | -40 °C to +125 °C |
| 8. Spring Force: | 2LBS min@ OPEN
4LBS max@ CLOSED |

Material and Plating:

- Center conductor: Gold plated over Beryllium copper.
- Outer conductor: Gold plated over Beryllium copper.
- Insulators: PTFE .
- Spring: Passivated plated Stainless steel.
- Gasket: Silicone rubber.
Aluminium silver plated conductive fluorosilicone(EMI).

UNLESS OTHERWISE SPECIFIED:
 DIMENSIONS IN mm
 TOLERANCES:
 GENERAL:
 X ±0.2
 X.X ±0.1
 X.XX ±0.05
 ANGLES: ±2°
 ROUGHNESS: 2.3
 VIEW PROJECTION:

		Xi'an Longtrox RF Scien-Tech Co.,Ltd. www.longtroxrf.com				
TITLE: SMP FEMALE TO FEMALE SPRING LOADED ADAPTOR SMP-KK16T						
PROJECT:						
DRAWN	Nan		2023.11.03	PART NO:	REV:	
DESIGNED	Nan		2023.11.03		-	
CHECKED	Liu		2023.11.03	DWG NO:	REV:	
APPROVED	DAMI WANG		2023.11.03	FILE:	A1	
	NAME	SIGNATURE	DATE	SCALE:	SHEET/OF:	SIZE:
				7:1	1 / 1	A4