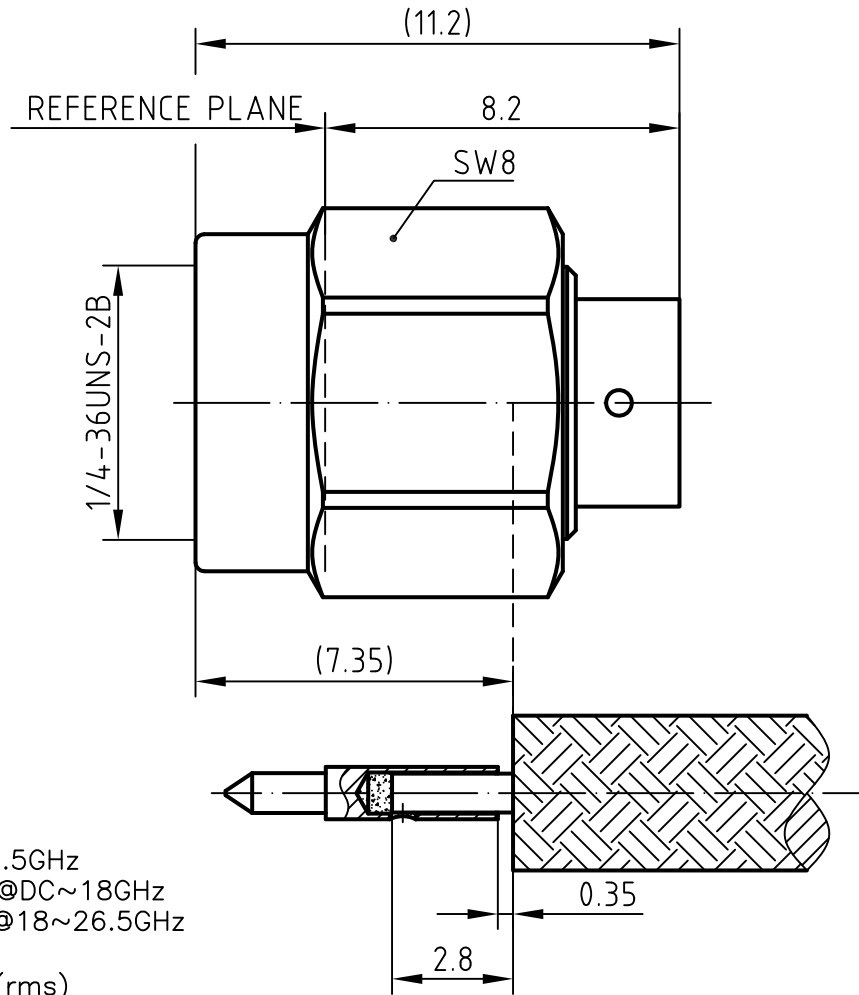


REV	△	DESCRIPTION	CHNGD SHEET	ECO NO.	DATE	DRAWN	APPROVED
-----	---	-------------	-------------	---------	------	-------	----------



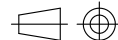
Technical Data:

- |                                     |                                    |
|-------------------------------------|------------------------------------|
| 1. Impedance                        | 50 Ω                               |
| 2. Frequency range                  | DC~26.5GHz                         |
| 3. VSWR                             | ≤1.20@DC~18GHz<br>≤1.25@18~26.5GHz |
| 4. Working voltage                  | 335V                               |
| 5. Dielectric withstanding voltage: | 1000V(rms)                         |
| 6. Contact resistance:              |                                    |
| Center conductor                    | ≤3mΩ                               |
| Outer conductor                     | ≤2mΩ                               |
| 7. Insulation resistance            | ≥5000MΩ                            |
| 8. Operating Temperature            | -65 °C to +165 °C                  |
| 9. Durability                       | 500 Cycles                         |

Material and Plating:

- Center conductor: Gold plated over Brass.
- Outer conductor: Gold plated over Brass.
- Nut: Gold plated over Brass.
- Insulators: PTFE.

UNLESS OTHERWISE SPECIFIED:  
 DIMENSIONS IN mm  
 TOLERANCES:  
 GENERAL:  
 X ±0.2  
 X.X ±0.1  
 X.XX ±0.05  
 ANGLES: ±2°  
 ROUGHNESS: ✓  
 VIEW PROJECTION:



*Xi'an Longtrox RF Scien-Tech Co.,Ltd.*  
[www.longtroxrf.com](http://www.longtroxrf.com)

TITLE:		<b>SMA STRAIGHT PLUG FOR .141</b>			REV:	
		<b>SMA-JB402</b>			-	
PROJECT:						
DRAWN	Nan		2023.08.31	PART NO:	REV:	
DESIGNED	Nan		2023.08.31	DWG NO:	-	
CHECKED	Lin		2023.08.31	FILE:	A1	
APPROVED	DAMI WANG		2023.08.31	SCALE:	SIZE:	
	NAME	SIGNATURE	DATE	6:1	SHEET/OF:	A4
					1 / 1	