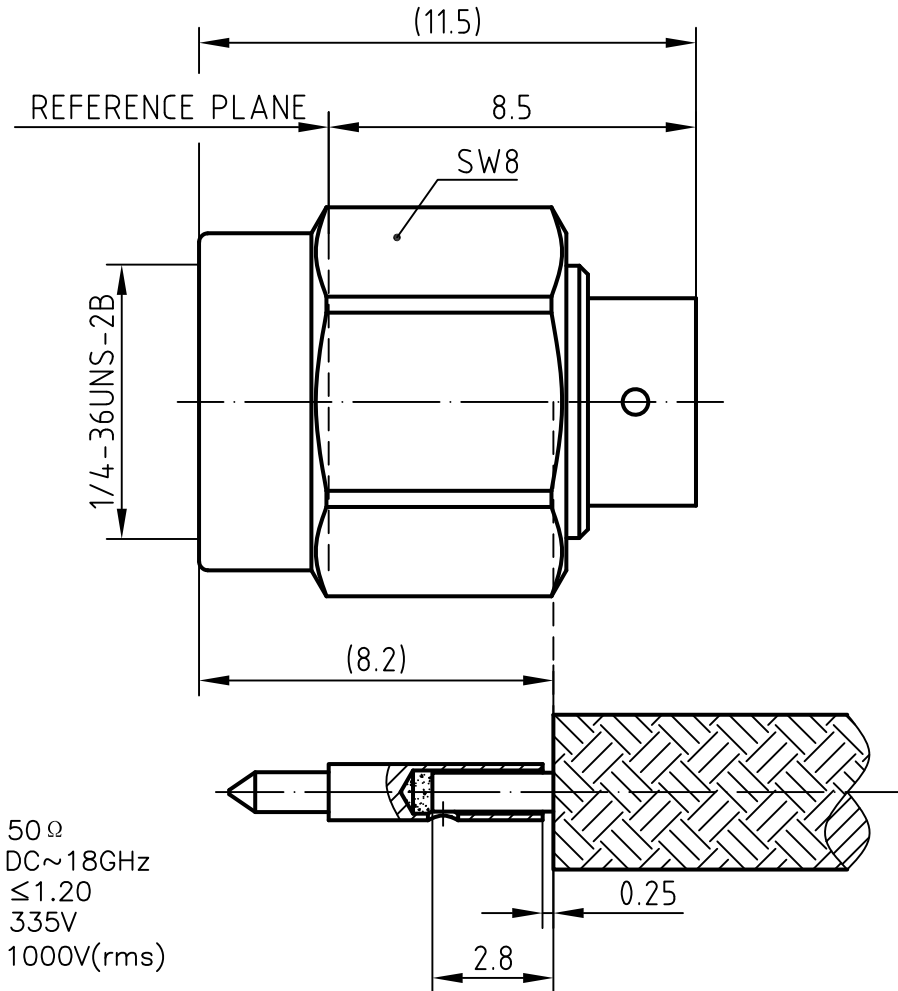


4		5					
REV	△	DESCRIPTION	CHNGD SHEET	ECO NO.	DATE	DRAWN	APPROVED



Technical Data:

- | | |
|-------------------------------------|-------------------|
| 1. Impedance | 50 Ω |
| 2. Frequency range | DC~18GHz |
| 3. VSWR | ≤1.20 |
| 4. Working voltage | 335V |
| 5. Dielectric withstanding voltage: | 1000V(rms) |
| 6. Contact resistance: | |
| Center conductor | ≤3mΩ |
| Outer conductor | ≤2mΩ |
| 7. Insulation resistance | ≥5000MΩ |
| 8. Operating Temperature | -65 °C to +165 °C |
| 9. Durability | 500 Cycles |

Material and Plating:

- Center conductor: Gold plated over Brass.
- Outer conductor: Gold plated over Brass.
- Nut: Gold plated over Brass.
- Insulators: PTFE.

UNLESS OTHERWISE SPECIFIED:		Longtrox		Xi'an Longtrox RF Scien-Tech Co.,Ltd. www.longtroxrf.com	
DIMENSIONS IN mm		TITLE: SMA STRAIGHT PLUG FOR .141 SMA-JB3			
TOLERANCES:		PROJECT:			
GENERAL:		DRAWN: Nan			
X ±0.2		DESIGNED: Nan			
X.X ±0.1		CHECKED: Lin			
X.XX ±0.05		APPROVED: DAMI WANG			
ANGLES: ±2°		VIEW PROJECTION:			
ROUGHNESS: <input checked="" type="checkbox"/>		PART NO:			
		DWG NO:			
		SCALE: 6:1			
		SHEET/OF: 1 / 1			
		SIZE: A4			