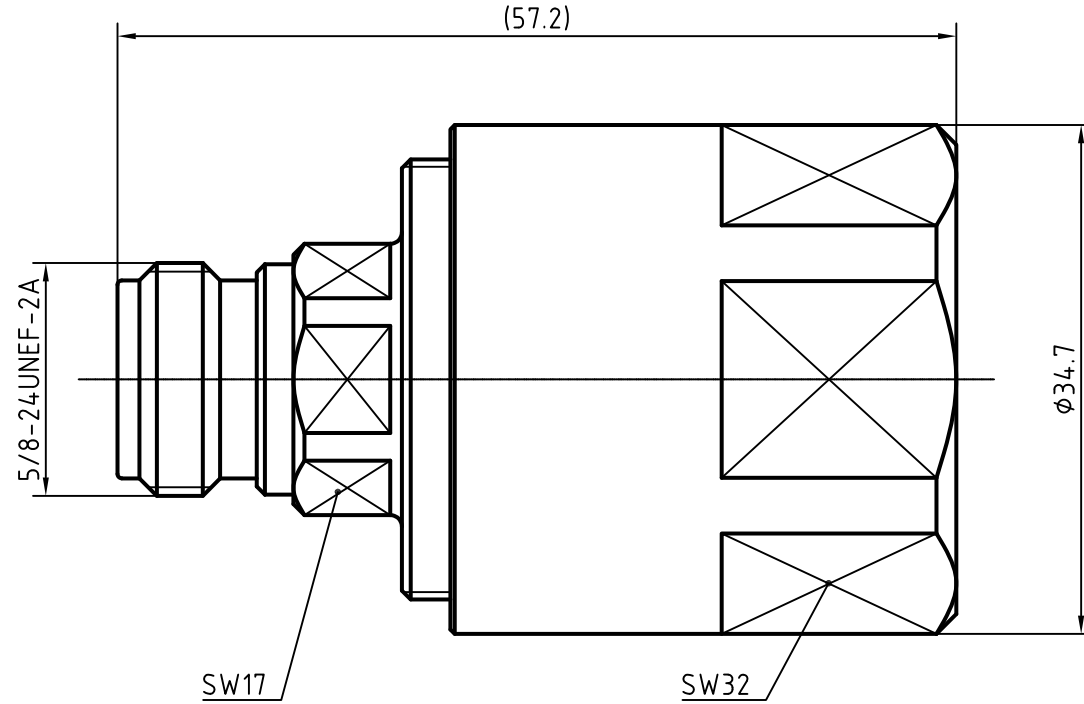


4		5	
REV	△	DESCRIPTION	CHNGD SHEET
		ECO NO.	DATE
		DRAWN	APPROVED



Technical Data:

- | | |
|-------------------------------------|---------------|
| 1. Impedance | 50 Ω |
| 2. Frequency range | DC-3GHz |
| 3. VSWR | ≤1.10 |
| 4. Working voltage | 1000V |
| 5. Dielectric withstanding voltage: | 2500V |
| 6. Contact resistance: | |
| Center conductor | ≤1m Ω |
| Outer conductor | ≤0.25m Ω |
| 7. Insulation resistance | ≥5000M Ω |
| 8. Operating Temperature | -40°C to 85°C |
| 9. Durability | 500 Cycles |

Material and Plating:

- Center conductor: Silver plated over Phosphor Bronze.
- Outer conductor: White Bronze(CuSnZn) plated over Brass.
- Insulators: PTFE
- Gasket: Silicone rubber.
- Other: Nickel plated over Brass.
White Bronze(CuSnZn) plated over Brass.

UNLESS OTHERWISE SPECIFIED:

DIMENSIONS IN mm

TOLERANCES:

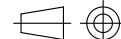
GENERAL:

- | | |
|------|-------|
| X | ±0.2 |
| X.X | ±0.1 |
| X.XX | ±0.05 |

ANGLES: ±2°

ROUGHNESS: 2.3

VIEW PROJECTION:



Xi'an Longtrox Scien-Tech Co., Ltd.
www.longtrox.com

TITLE:

N STRAIGHT JACK FOR 7/8" RADIATING CABLES
N-K7/8RC-H

PROJECT:

DRAWN	Nan		2023.08.10	PART NO:	REV:
DESIGNED	Nan		2023.08.10		-
CHECKED	Zhang		2023.08.10	DWG NO:	REV:
APPROVED	DAMI WANG		2023.08.10	FILE:	A1
	NAME	SIGNATURE	DATE	SCALE:	SHEET/OF:
				2:1	1 / 1
					SIZE:
					A4